

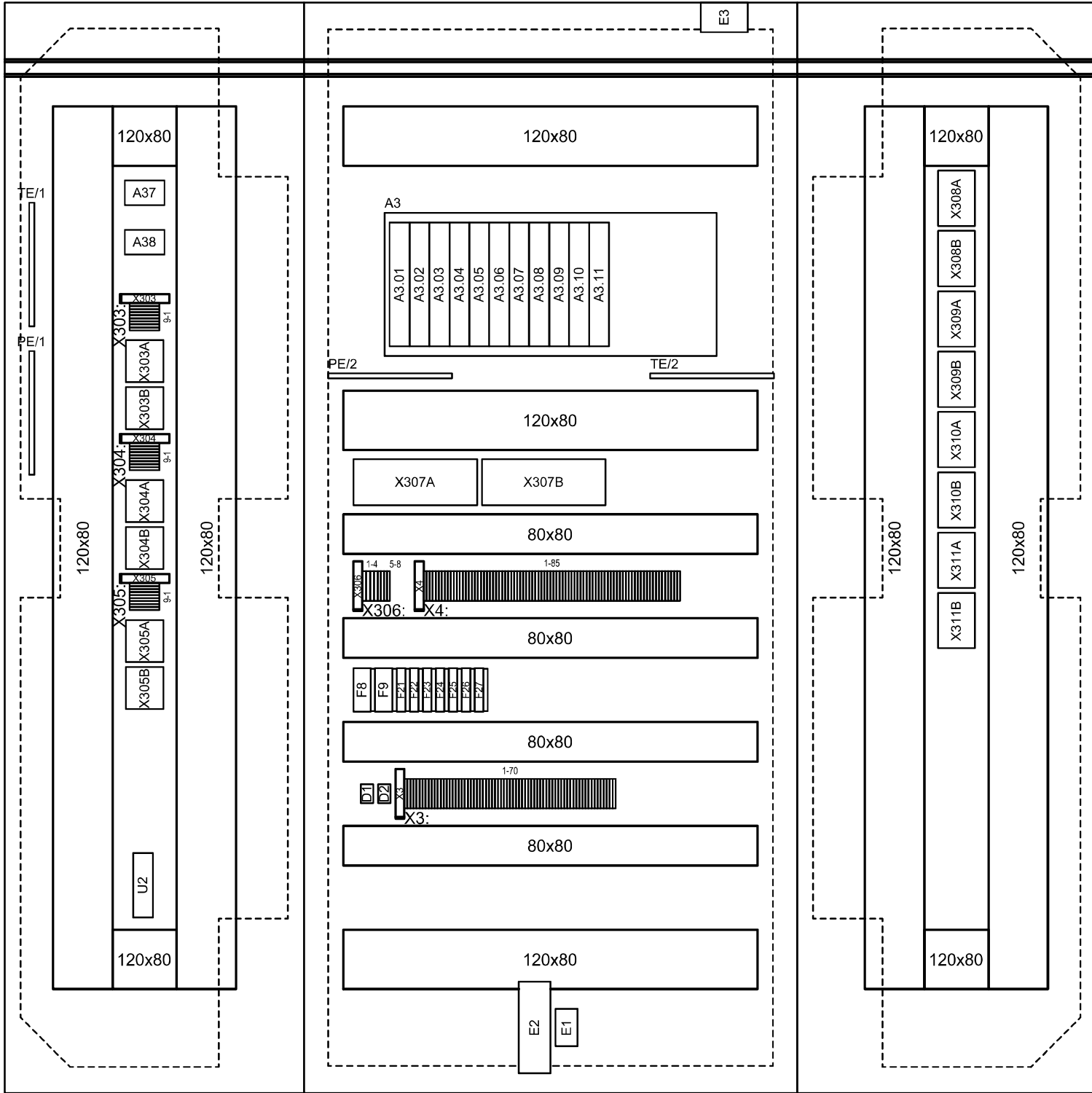
PANEL DIMENSIONS:

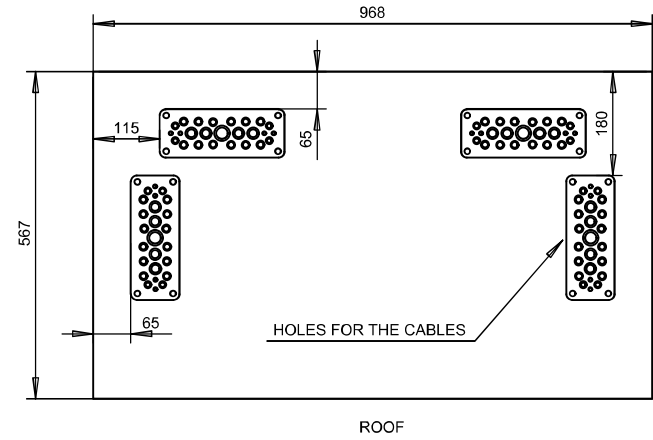
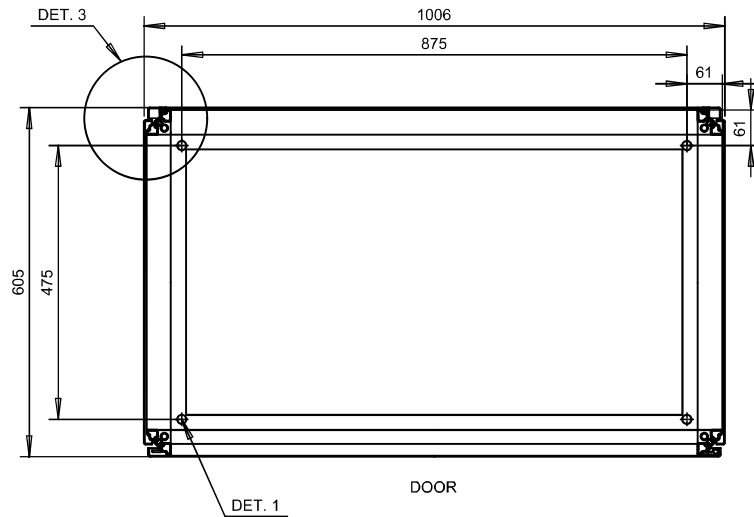
WIDTH 1006mm
DEPTH 605mm
HIGHT 2205 + 100mm
WEIGHT 250kg

COLOUR RAL 7035
IP 41

EXISTING COMMON CONTROL PANEL LAYOUT

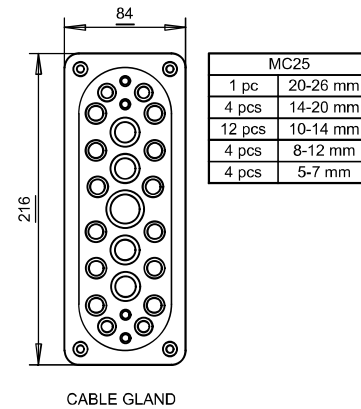
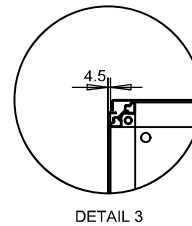
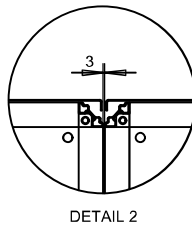
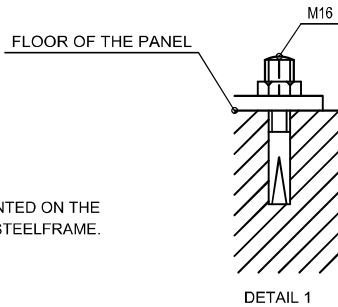
EXISTING COMMON PANEL
LAYOUT ASSEMBLY





FOUR FIXING POINTS
IN EVERY PANEL

THE PANELS WILL BE MOUNTED ON THE
FLOOR AND BOLTED TO A STEELFRAME.



EXISTING COMMON PANEL LAYOUT ASSEMBLY FLOOR